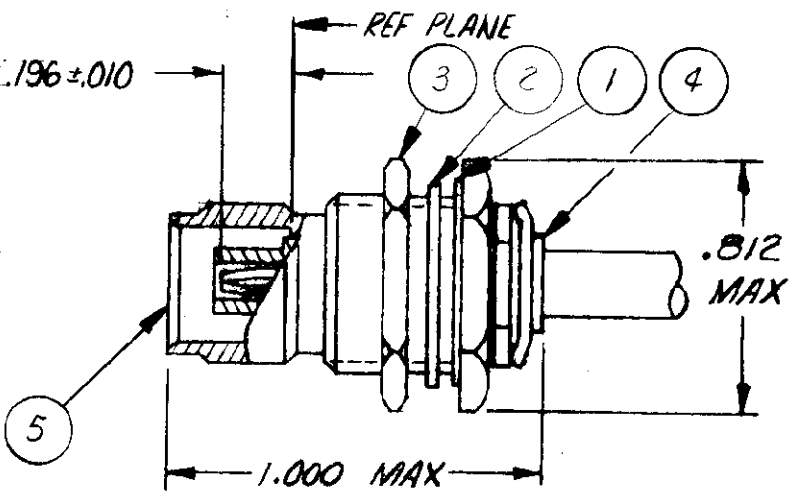
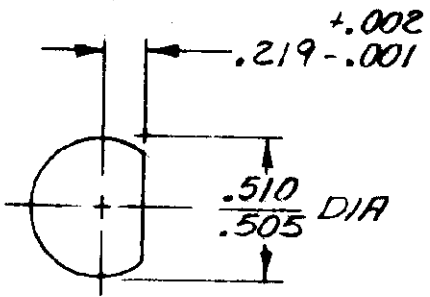


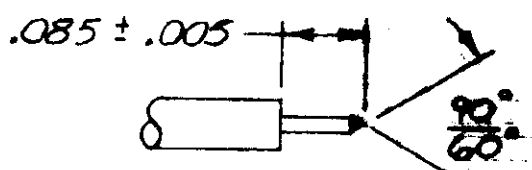
REVISIONS					
P	F	LTR	DESCRIPTION	DATE	BY
1		B	REVISED PER FC 0220-0213-94	11/28/54	11/28/54



1. FOR USE WITH RG-402/U  
.141 SEMI-RIGID CABLE
2. .250 MAX PANEL THK
3. USE INSTRUCTION SHEET 670



SUGGESTED PANEL CUTOUT



RECOMMENDED STRIP LENGTH

ITEM	QTY	DESCRIPTION	PART NO
5	1	JACK ASSY	228503-1
4	1	ADAPTOR ASSY	228946-1
3	1	JAM NUT	1-329631-2
2	1	LOCKWASHER	1-329632-2
1	1	GASKET	329633

THIS DRAWING IS UNPUBLISHED. RELEASED FOR PUBLICATION  
 BY AMP INCORPORATED, HARRISBURG, PA. ALL INTERNATIONAL RIGHTS  
 RESERVED. AMP PRODUCTS MAY BE COVERED BY U.S. AND FOREIGN PATENTS AND/OR PENDING APPLIC.

UNLESS OTHERWISE SPECIFIED, DIMENSIONS ARE IN INCHES.  
 TOLERANCES ON DIMENSIONS:  
 FRACTIONS DECIMALS  
 .005 ± .005  
 .010 ± .005  
 .015 ± .005  
 .020 ± .005  
 .030 ± .005  
 .040 ± .005  
 .050 ± .005  
 .060 ± .005  
 .070 ± .005  
 .080 ± .005  
 .090 ± .005  
 .100 ± .005  
 .125 ± .005  
 .150 ± .005  
 .175 ± .005  
 .200 ± .005  
 .250 ± .005  
 .300 ± .005  
 .375 ± .005  
 .500 ± .005  
 .750 ± .005  
 1.000 ± .005  
 1.500 ± .005  
 2.000 ± .005  
 3.000 ± .005  
 4.000 ± .005  
 5.000 ± .005  
 6.000 ± .005  
 7.000 ± .005  
 8.000 ± .005  
 9.000 ± .005  
 10.000 ± .005

CONTRACT NO  
 DR T. Smith 9/20/52  
 DESIGNED BY R. H. Vanturel 8-26-52  
 APPD R. H. Vanturel 8/26/52  
 APPD T. Smith 8/27/52  
 DSGN APPD  
 OTHER APPD

**AMP** | AMP INCORPORATED  
 Harrisburg, Pa. 17105  
 NAME **CONNECTOR, COAXIAL, RF  
 JACK, REAR MOUNTED, SERIES TNC**  
 SIZE **A** | FSCM NO **00779** | DRAWING NO **228502-1**  
 SCALE **NTS** | SHEET